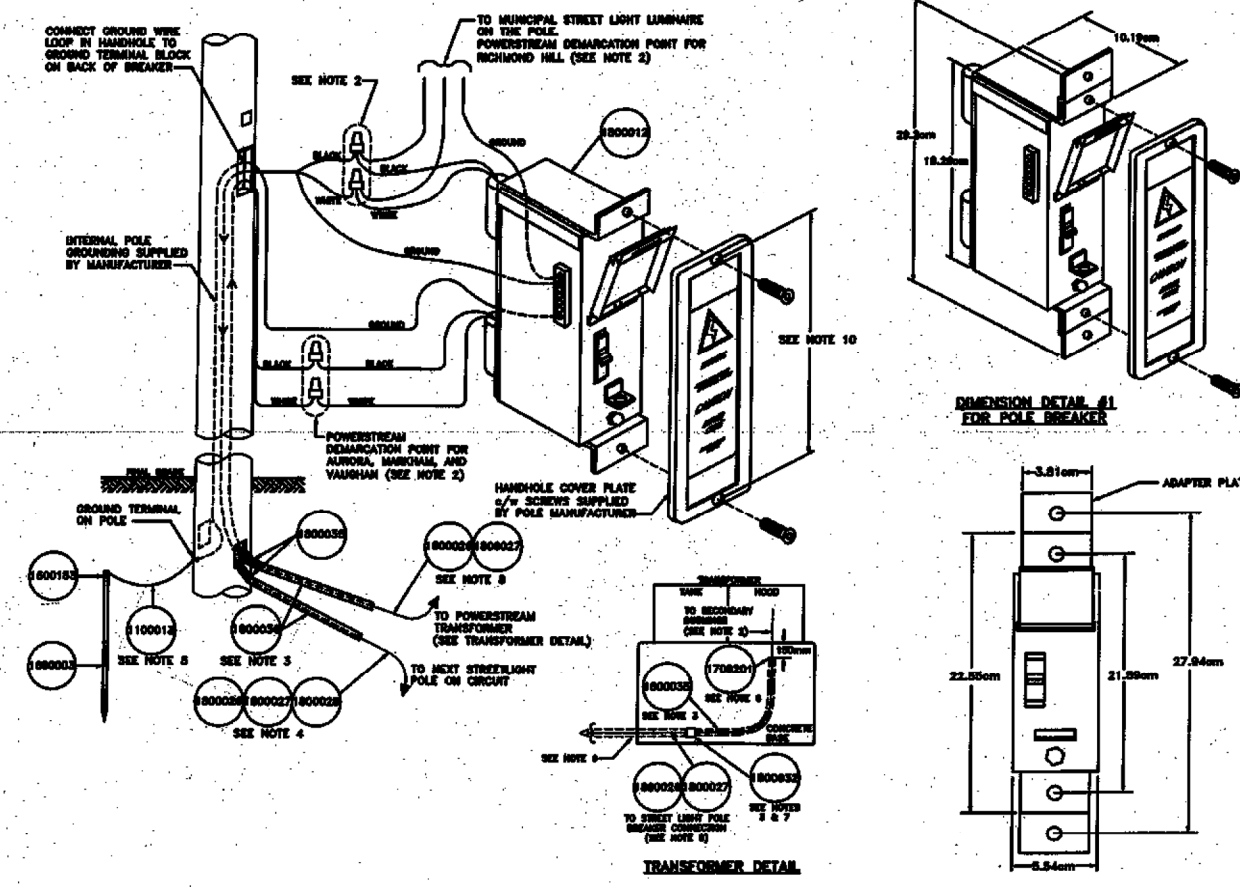


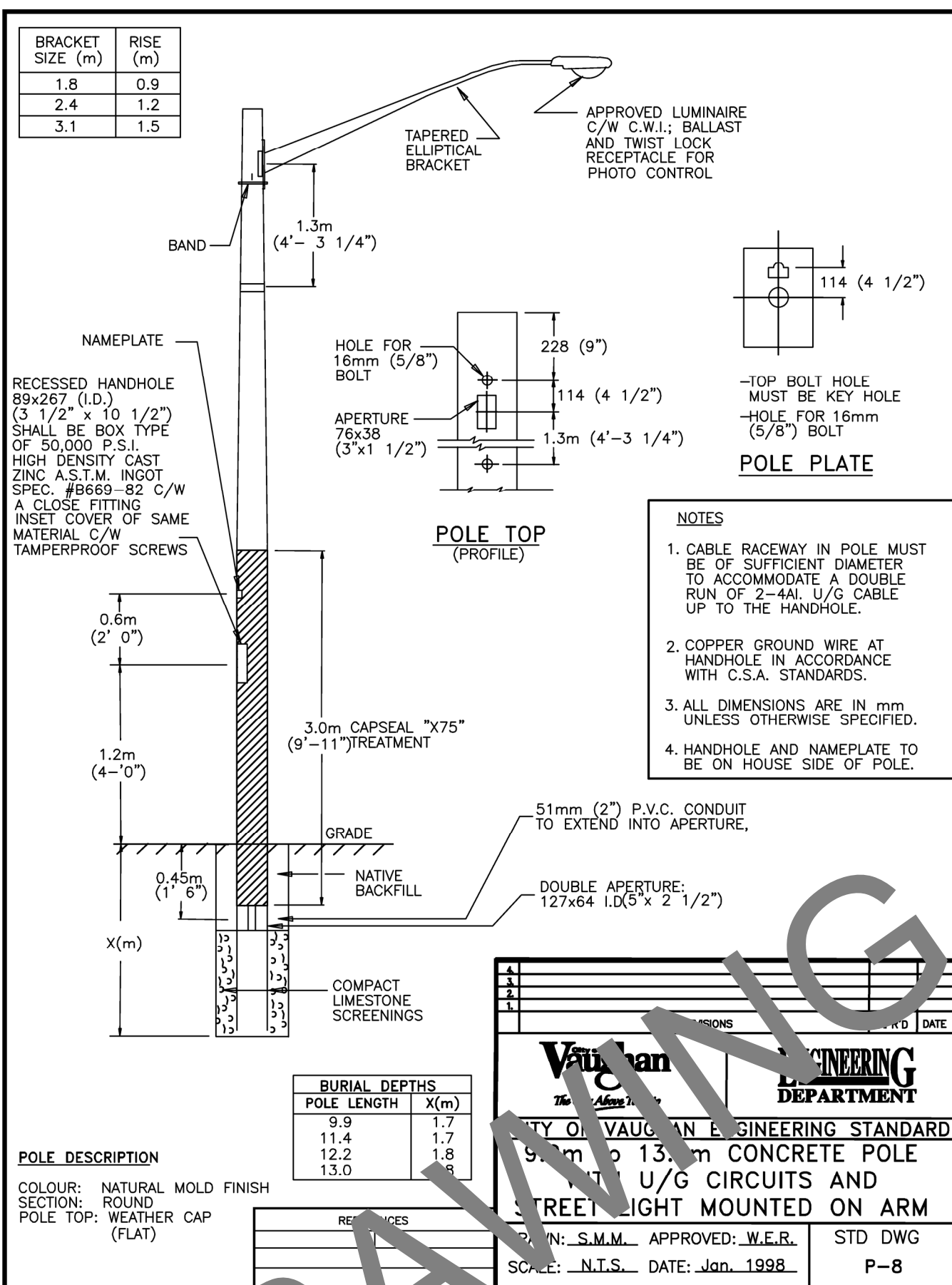
**PowerStream Inc.
Construction Standard**

31-201

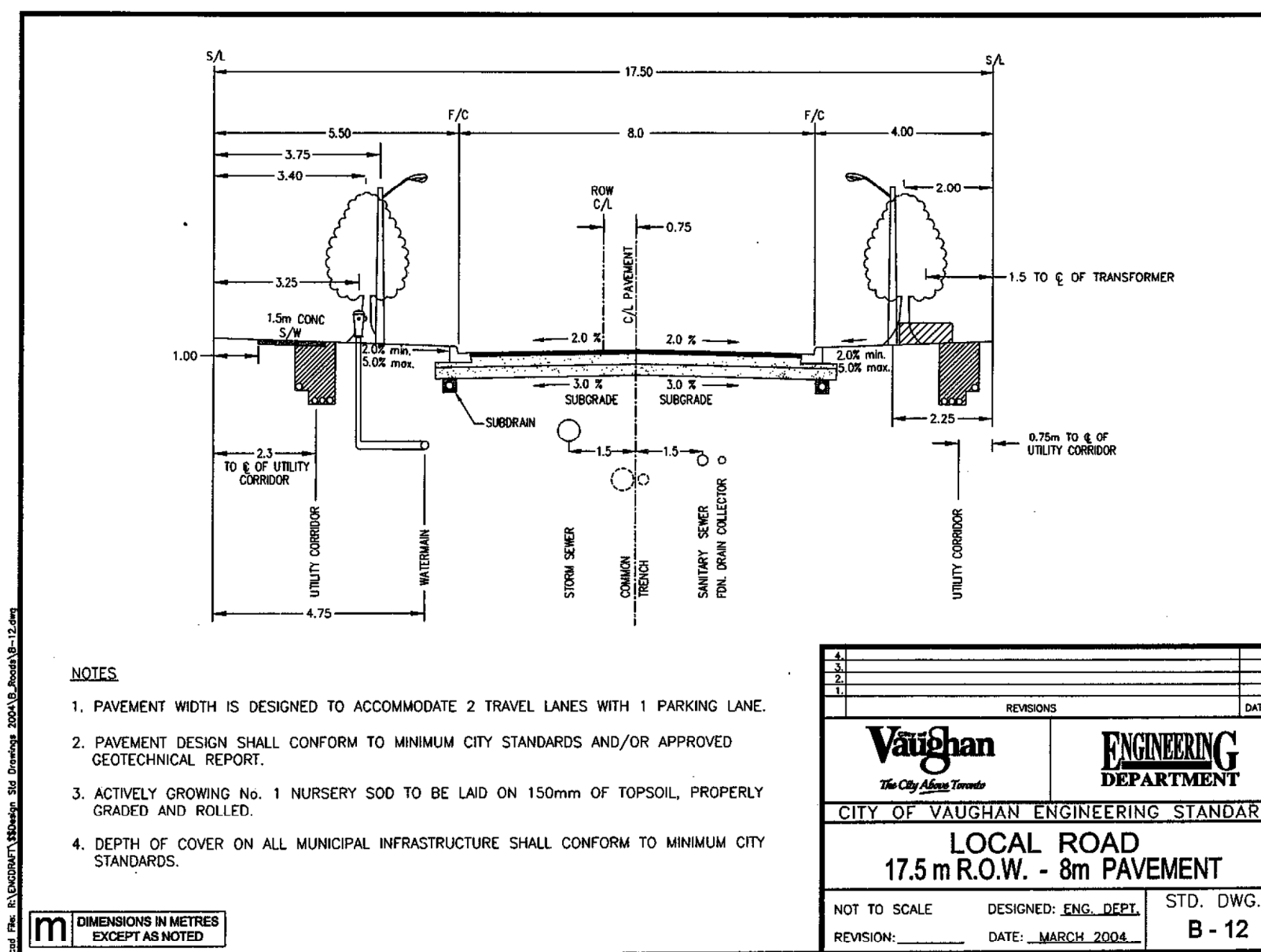
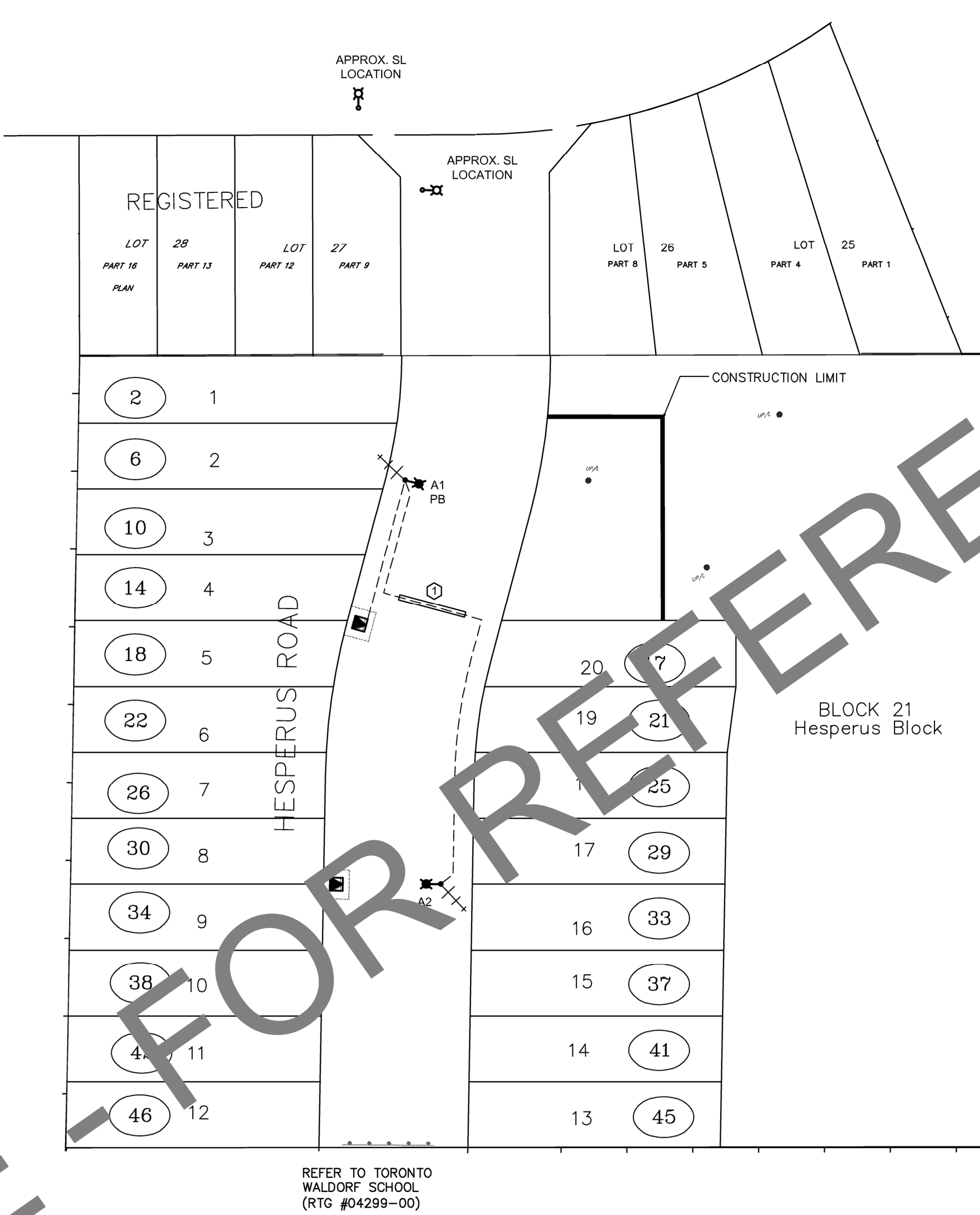


- NOTES**
1. THE QUANTITIES FOR CABLES AND DUCTS ARE INDICATED IN THIS PLAN.
 2. POWERSTREAM BRACKET ASSEMBLY FOR STREET LIGHTING SHALL BE AS SHOWN IN THE DRAWING. THE BRACKET SHALL BE MOUNTED TO THE POLE WITH THE APERTURE TO THE STREET LIGHTING SERVICE. THE BRACKET SHALL BE MOUNTED TO THE POLE WITH THE APERTURE TO THE STREET LIGHTING SERVICE. THE BRACKET SHALL BE MOUNTED TO THE POLE WITH THE APERTURE TO THE STREET LIGHTING SERVICE.
 3. STREET LIGHTING SHALL BE MOUNTED TO THE POLE WITH THE APERTURE TO THE STREET LIGHTING SERVICE. THE BRACKET SHALL BE MOUNTED TO THE POLE WITH THE APERTURE TO THE STREET LIGHTING SERVICE. THE BRACKET SHALL BE MOUNTED TO THE POLE WITH THE APERTURE TO THE STREET LIGHTING SERVICE.
 4. APPROXIMATE QUANTITIES OF THREE (3) POLES TO BE INSTALLED AT EACH TRANSFORMER LOCATION. APPROXIMATE QUANTITIES OF THREE (3) POLES TO BE INSTALLED AT EACH TRANSFORMER LOCATION. APPROXIMATE QUANTITIES OF THREE (3) POLES TO BE INSTALLED AT EACH TRANSFORMER LOCATION.
 5. APPROXIMATE QUANTITIES OF THREE (3) POLES TO BE INSTALLED AT EACH TRANSFORMER LOCATION. APPROXIMATE QUANTITIES OF THREE (3) POLES TO BE INSTALLED AT EACH TRANSFORMER LOCATION. APPROXIMATE QUANTITIES OF THREE (3) POLES TO BE INSTALLED AT EACH TRANSFORMER LOCATION.
 6. APPROXIMATE QUANTITIES OF THREE (3) POLES TO BE INSTALLED AT EACH TRANSFORMER LOCATION. APPROXIMATE QUANTITIES OF THREE (3) POLES TO BE INSTALLED AT EACH TRANSFORMER LOCATION. APPROXIMATE QUANTITIES OF THREE (3) POLES TO BE INSTALLED AT EACH TRANSFORMER LOCATION.
 7. APPROXIMATE QUANTITIES OF THREE (3) POLES TO BE INSTALLED AT EACH TRANSFORMER LOCATION. APPROXIMATE QUANTITIES OF THREE (3) POLES TO BE INSTALLED AT EACH TRANSFORMER LOCATION. APPROXIMATE QUANTITIES OF THREE (3) POLES TO BE INSTALLED AT EACH TRANSFORMER LOCATION.
 8. APPROXIMATE QUANTITIES OF THREE (3) POLES TO BE INSTALLED AT EACH TRANSFORMER LOCATION. APPROXIMATE QUANTITIES OF THREE (3) POLES TO BE INSTALLED AT EACH TRANSFORMER LOCATION. APPROXIMATE QUANTITIES OF THREE (3) POLES TO BE INSTALLED AT EACH TRANSFORMER LOCATION.
 9. APPROXIMATE QUANTITIES OF THREE (3) POLES TO BE INSTALLED AT EACH TRANSFORMER LOCATION. APPROXIMATE QUANTITIES OF THREE (3) POLES TO BE INSTALLED AT EACH TRANSFORMER LOCATION. APPROXIMATE QUANTITIES OF THREE (3) POLES TO BE INSTALLED AT EACH TRANSFORMER LOCATION.
 10. APPROXIMATE QUANTITIES OF THREE (3) POLES TO BE INSTALLED AT EACH TRANSFORMER LOCATION. APPROXIMATE QUANTITIES OF THREE (3) POLES TO BE INSTALLED AT EACH TRANSFORMER LOCATION. APPROXIMATE QUANTITIES OF THREE (3) POLES TO BE INSTALLED AT EACH TRANSFORMER LOCATION.
 11. APPROXIMATE QUANTITIES OF THREE (3) POLES TO BE INSTALLED AT EACH TRANSFORMER LOCATION. APPROXIMATE QUANTITIES OF THREE (3) POLES TO BE INSTALLED AT EACH TRANSFORMER LOCATION. APPROXIMATE QUANTITIES OF THREE (3) POLES TO BE INSTALLED AT EACH TRANSFORMER LOCATION.

POLE BREAKER CONNECTION FOR STREET LIGHTING SERVICE
DATE: 2016.08.11 BY: J.G. CHECKED BY: J.G.



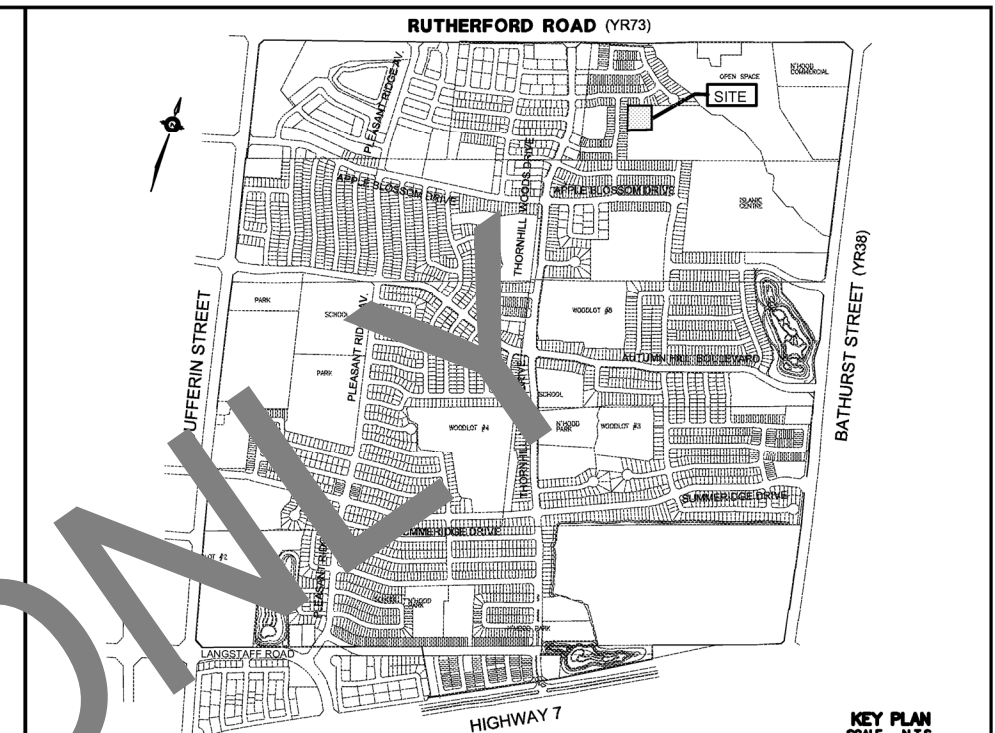
FRASERWOOD ROAD



ROAD ALLOWANCE	STANDARD DRAWING	MOUNTING HEIGHT	SPACING	WATTAGE	LIGHT LOSS FACTOR	MANUFACTURER	PHOTOMETRIC FILE	AVERAGE	MINIMUM	MAX/MIN UNIFORMITY	APPLICABLE STREETS
17.5m	B-12	8.9m	101m STAGGERED (MAX.)	73W	0.86	AMERICAN ELECTRIC	ATBO_20BLEDE10_XXXX_R2.IES	7.9 LUX 2.6 LUX SWK	3.1 LUX	5.5:1	HESPERUS RD

AS CONSTRUCTED

OCTOBER 2019



- POWERSTREAM LEGEND**
- HYDRO TRANSFORMER
 - EXISTING HYDRO TRANSFORMER
 - ROAD CROSSING
 - 100mm PVC TYPE II DUCT FOR PRIMARY CABLE
 - 75mm PVC TYPE II DUCT FOR SECONDARY CABLE
 - 50mm PVC TYPE II DUCT FOR STREET LIGHT CABLE
- STREETLIGHTING LEGEND**
- CITY OF VAUGHAN STANDARD STREETLIGHT ASSEMBLY POLE: 9.9m ROUND CONCRETE POLE. FIXTURE: 73W (UNLESS OTHERWISE NOTED), 3000K, 120V, LED COBRA C/W 7-PIN NEMA COMPATIBLE PHOTOCELL. RECEPTACLE BY AMERICAN ELECTRIC LIGHTING (OR APPROVED ALTERNATIVE) PER PHOTOMETRIC ATBO_20BLEDE10_XXXX_R2.IES ARM: 2.4m TAPERED ELLIPTICAL ARM. NOTE: ABOVE STREETLIGHT ASSEMBLY IS IN COMPLETE ACCORDANCE WITH THE CITY OF VAUGHAN'S LATEST STANDARDS & SPECIFICATIONS. ALL MATERIALS ARE C.S.A. APPROVED.
 - EXISTING STREETLIGHT ASSEMBLY.
 - STREETLIGHTING POLE BREAKER BY EATON CUTLER HAMMER.
 - PROPOSED STREETLIGHT FEED CABLE: 2-#6cu. RWU IN 50mm PVC CONDUIT.
 - PROPOSED STREETLIGHT CABLE: 2-#8cu. RWU + 1-#6cu. RWU JACKETED GRD. (GREEN) IN 50mm PVC CONDUIT.
 - MUNICIPAL ADDRESS NUMBER

- STREETLIGHTING NOTES**
- 1) ALL STREETLIGHT POLES TO BE LOCATED AS DIMENSIONED
 - 2) STREETLIGHT DISCONNECTS AS PER THE E.S.A. ARE INSTALLED USING THE IN-POLE BREAKER BY EATON CUTLER HAMMER.
 - 3) ALL STREETLIGHT CABLES SHALL BE INSTALLED IN 2" PVC CONDUIT. EACH CABLE SHALL HAVE A DEDICATED 2" CONDUIT.

REVISIONS

NO.	REVISION	DATE	MADE BY	CHECKED BY
R3	AS CONSTRUCTED BY CONELCO 2017.12.04	2017.12.07	K.V.L.	
R2	REVISED PER CITY LED STDS	2017.05.23	T.J.G.	
R1	REVISED PER LATEST CIVILS	2017.01.02	T.J.G.	

APPROVED AS TO FORM IN RELIANCE UPON THE PROFESSIONAL SKILL AND ABILITY OF RTG SYSTEMS INC., CONSULTING ENGINEERS, AS TO DESIGN AND SPECIFICATIONS, FOR PHASE 1 ONLY.

ANDREW D. PEARCE OCT. 17, 2017
DIRECTOR OF DEVELOPMENT ENGINEERING & INFRASTRUCTURE PLANNING SERVICES



RTG SYSTEMS INC.
ELECTRICAL CONSULTING ENGINEERS
3518 Mainway Dr., Suite 201 Office: (905) 335-4470
BURLINGTON ON L7M 1A8 Toronto: (905) 827-7887
E-MAIL: general@rtgsystems.com

CITY OF VAUGHAN
CACHET SUMMERHILL DEVELOPMENT
MUNICIPAL STREETLIGHTING SYSTEM

65M-4583 CITY FILE: 19T-15V003

DESIGNED BY:	P.S.I. FILE:	DWG. NO.
T.J.G.		04283-00
DRAWN BY:	WORK ORDER:	DWG. NO.
K.C.M.		SL-1
CHECKED BY:	AREA:	DWG. NO.
T.J.G.	V10	SL-1
DATE:	SCALE:	SHEET
2016.08.11	1:500	1 OF 1

